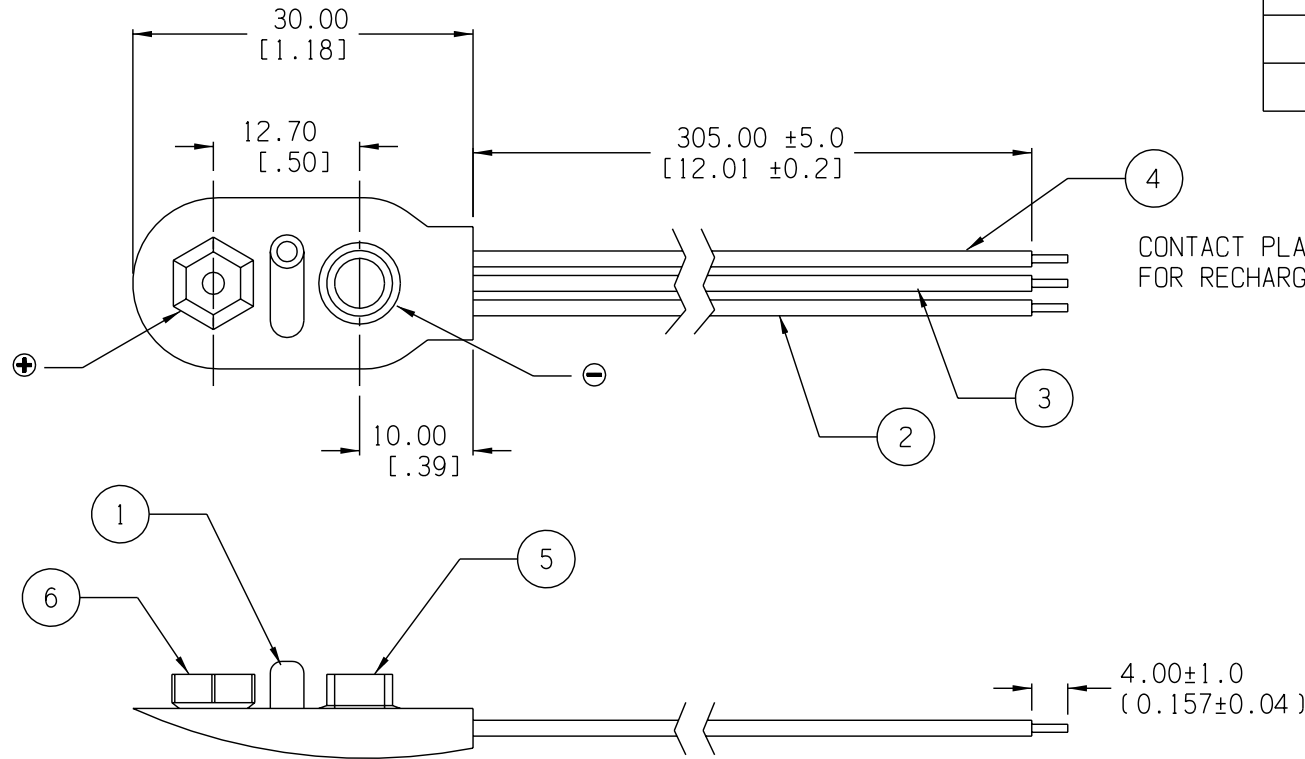


Date	SYM	REVISION RECORD	AUTH	DR.	CK.
03/29/03	A	CONTACT WAS SPRING CONTACT	T.B.	B.S.	
01/12/04	B	DIM. 12.70 ON BATTERY SNAP WAS 12.90 REMOVED 1.50 DIM.	T.B.	B.S.	



4

CONTACT PLATE FOR RECHARGING

3

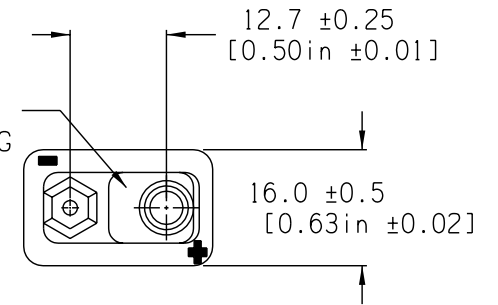
2

1

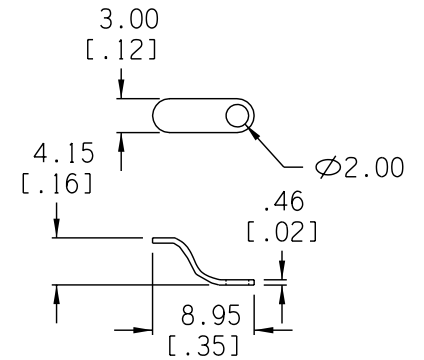
5

6

4.00 ± 1.0
(0.157 ± 0.04)



TOP VIEW OF BATTERY



CONTACT DETAIL

ITEM NO.	PART NAME	MATL. SPECIFICATION	Tolerance (Inches)	Memory Protection Devices, Inc. 200 Broad Hollow Road, Farmingdale, New York 11735	
1	CONTACT, RECHARGE	Be-Cu, NICKLE PLTD	Decimal ±.5 (.020)	Scale	Drawn By B.S.
2	RED WIRE, POSITIVE	24AWG, UL1007			Approved By T.B.
3	YELLOW WIRE, RECHARGE	24AWG, UL1007		Title BATTERY SNAP FOR RECHARGEABLE 9 VOLT	Date 01/12/04
4	BLACK WIRE, NEGETIVE	24AWG, UL1007			
5	MALE SNAP	BRASS, NICKLE PLTD.	Angular ± 3°		
6	FEMALE SNAP	BRASS, NICKLE PLTD.			
MATES WITH VARTA BATTERY # V7/8R NiCAD AND V7/8H NiMH					